

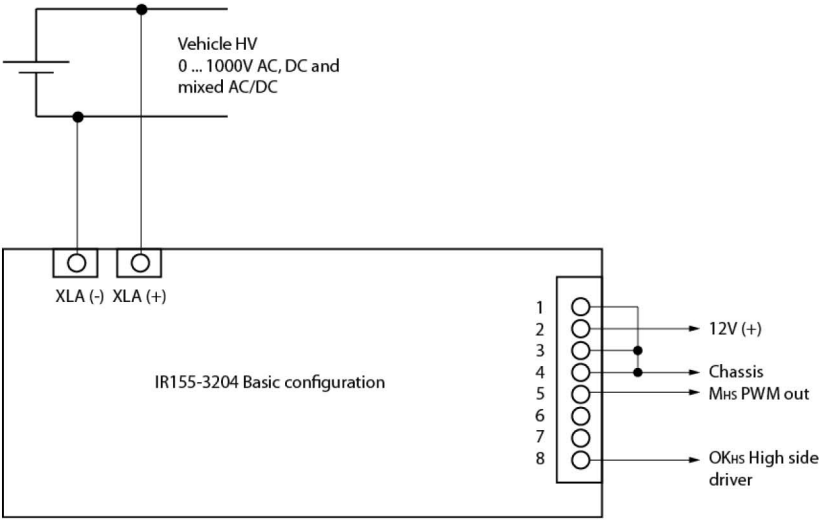
IR155-3204 Output configuration as relay driver (Euro terminology relay = relais)

Below are the schematics for the Bender insulation monitoring board type IR155-3204. This configuration can be used when the intention is to drive a “stronger” relay output directly from the IR155-3204 board. The “OK” output on PIN 8 is configured as a high side driver. If the IR155-3204 board is powered with 12VDC, then roughly 11.5VDC will be available at PIN 8 relative to Ground/chassis. Once the predetermined set point has been reached, PIN 8 will be pulled to zero level.

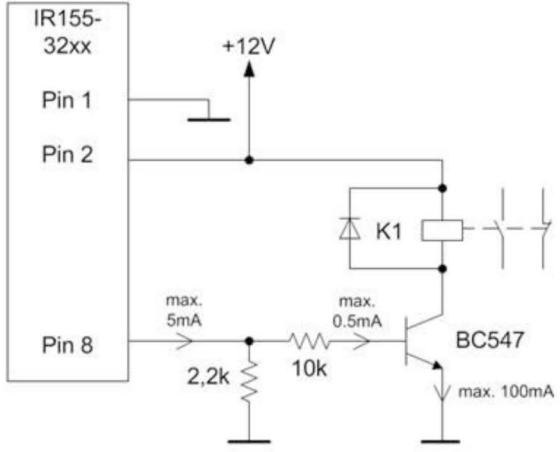
A relay would therefore be always energized, but drop out in case of a system failure, power loss or ground fault alarm. This is considered NC (Normally Closed), NE (Normally Energized) or Fail Safe.

(Note: PINs 1, 3 & 4 need to be on GND potential. For meter testing (voltage readings) on PIN 8, it is recommended to use a pull down resistor of 5K from PIN 8 to the chassis.)

Basic Configuration



Indirectly powered 12V relays



OR

Directly powered 12V relays

